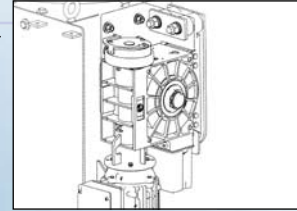




DOOR HEADER
The top roll carries the door load with minimal deflection. Heavy-duty stub axel and end plates are load rated to support extreme weight capacity enhancing long term performance.

COUNTERBALANCE SYSTEM
Offers consistently smooth operation due to the standard evenly balanced 100K torsion spring. A protective spring hood is also standard. (not shown)

OR
SPRINGLESS SYSTEM
Direct drive unit eliminates the need for chains and sprockets, resulting in lower maintenance costs.



DRIVE UNIT
Die cut aluminum gearbox, electromagnetic spring operated break and thermally protected motor.

WINDOW
Clear 255mm x 460mm PVC window enables traffic to be seen from both sides of the door. (not shown)

CONTROL PANEL
ACS50, NEMA-4 and CUL listed. Standard controls are adjustable with automatic closing timer, emergency stop, two actuating push buttons and cycle counter.

CURTAIN
Thick, 2-layer SBR and high tensile strength polyester provide superb resiliency in harsh environments. Albany Door Systems warrants the SBR fabric for the life of the door.

SIDE FRAMES
Self-supporting, heavy-duty side frames and patented Windlok guide system provide more strength and a near airtight seal for windloads up to 142 km/hr.

BOTTOM BEAM
Break away bottom beam that can be reset quickly reducing downtime and maintenance costs.



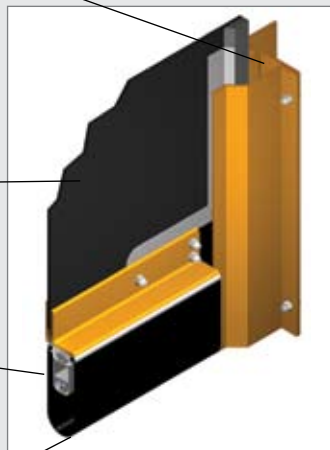
THE WORLD'S TOUGHEST ROLL UP DOOR
The Re-Coil-Away can take extreme heavy impacts without damage. The curtain and break away bottom beam can be reset quickly without special tools.

Patented Windlok and steel guide systems produces tight seals and allows the door to withstand windloads up to 140 km/hr.

SBR Rubber Door Curtain delivers superior resistance to harsh elements.

Watertight electrical reversing edge is self-monitoring for fail safe operations.

Rubber bottom profile provides a tight floor seal.



Products shown may include additional options.



Waste Water Management



Automotive Dealership



Commercial Auto Cleaning



Automotive Dealership



Mining



Parking Facility

Toll Free 1300 666 232
www.albanydoors.com

NSW
4/465 Victoria Street
Wetherill Park NSW 2164
Ph: 02 9756 4330
Fax: 02 9756 4340

TASMANIA
4/190 Invermay Road
Launceston TAS 7250
Office Tel/Fax: 03 6326 8899
Scott Bakes: 0417 249 495

Resellers
Western Australia - ADS Automation
7 Crowley Street
Port Kennedy WA 6168
Ph: 08 9524 6575
Fax: 08 9524 6875

VICTORIA
12 Horscroft Place
Moorabbin VIC 3189
Ph: 03 9553 5455
Fax: 03 9553 5486

SOUTH AUSTRALIA
41 York Street
Wingfield SA 5013
Ph: 08 8260 2940
Fax: 08 8260 7223

New Zealand - Flexible Door Technology Ltd
9 Lock Crescent
Hillsborough Christchurch NZ
Ph: + 64 3 384 8036
Fax: + 64 3 384 8046

QUEENSLAND
1/18 Tolmer Place
Springwood QLD 4127
Ph: 07 3299 5922
Fax: 07 3299 5955

MANUFACTURING
23 Faunce Street
West Gosford NSW 2250
Ph: 02 4323 2386
Fax: 02 4324 5411

Unit E, 657 Great South Road
Penrose Auckland NZ
Ph: + 64 9 580 2440
Fax: + 64 9 580 2442

Free call New Zealand 0800 267 888



Data Sheet
High Performance Door
M&I Re-Coil-Away™

The World's Toughest Roll-Up Door



Highly reliable, durable door that withstands the harshest environments, operating cycle after cycle, year after year.

Patented Windlock and guide system provides a near airtight seal minimizing air infiltration and lowering energy costs.

Technical data subject to change without notice - © Copyright by Albany Door Systems - 0

High Performance Door M&I Re-Coil-Away™



ADVANTAGES OF THE M&I RE-COIL-AWAY™

- Strength and Reliability. Strong curtain and tight seal provide more resiliency against damage, extreme weather and high windloads.
- Low Maintenance. Fewer moving parts eliminate the need to replace cables, guide springs or pulleys. A breakaway bottom beam absorbs heavy impact and can be quickly reset with little effort.
- The Industry's Best Warranty. Albany Door Systems warrants SBR curtain fabric for the life of the door, and all other mechanical components – including balancing springs – for two (2) full years. Electrical is warranted for (1) one year.



APPLICATIONS

- High cycle and high traffic areas where operational reliability is critical in harsh environments.

DOOR DESIGN

- Breakaway Bottom Beam. Designed to withstand extremely heavy impact, the bottom bar can be reset quickly without special tools or replacement parts.
- High Performance Door Header. The M&I Re-Coil-Away™ top roll, idler barrel and top plates allow for unsurpassed heavy-duty strength and reliability.
- Choose between a Springless System or Counterbalanced System.
 - Springless System. The Direct Drive unit, and the built-in catching device, eliminates the need for a chain and sprocket.
 - Counterbalance System. Pre-mounted evenly balanced 100,000 cycle torsion spring provides smooth, fast and reliable operation cycle after cycle.

SIDE FRAMES

- Self-supporting, heavy-duty steel side frames maintain Windloks within guides in high windloads of up to 142 km/hr, while enabling door panel to break away during impacts beyond this pressure.
- Patented Windlok and guide system provides a near airtight seal between environments.
- All M&I Re-Coil-Away™ frames are painted with chemical and corrosion resistant coating for improved long-term durability.

DOOR PANEL

- Highly Resistant Fabric. M&I Re-Coil-Away™ fabric is designed for temperatures ranging from -40° to +82° C to protect sensitive indoor environments and reduce energy costs.
- Greater Strength. The M&I Re-Coil-Away™ SBR curtain delivers 270 k/cm² tensile strength per ASTM D412.
- Standard curtain comes in black SBR. Also available in blue or grey EPDM.

DRIVE UNIT & CONTROL SYSTEM

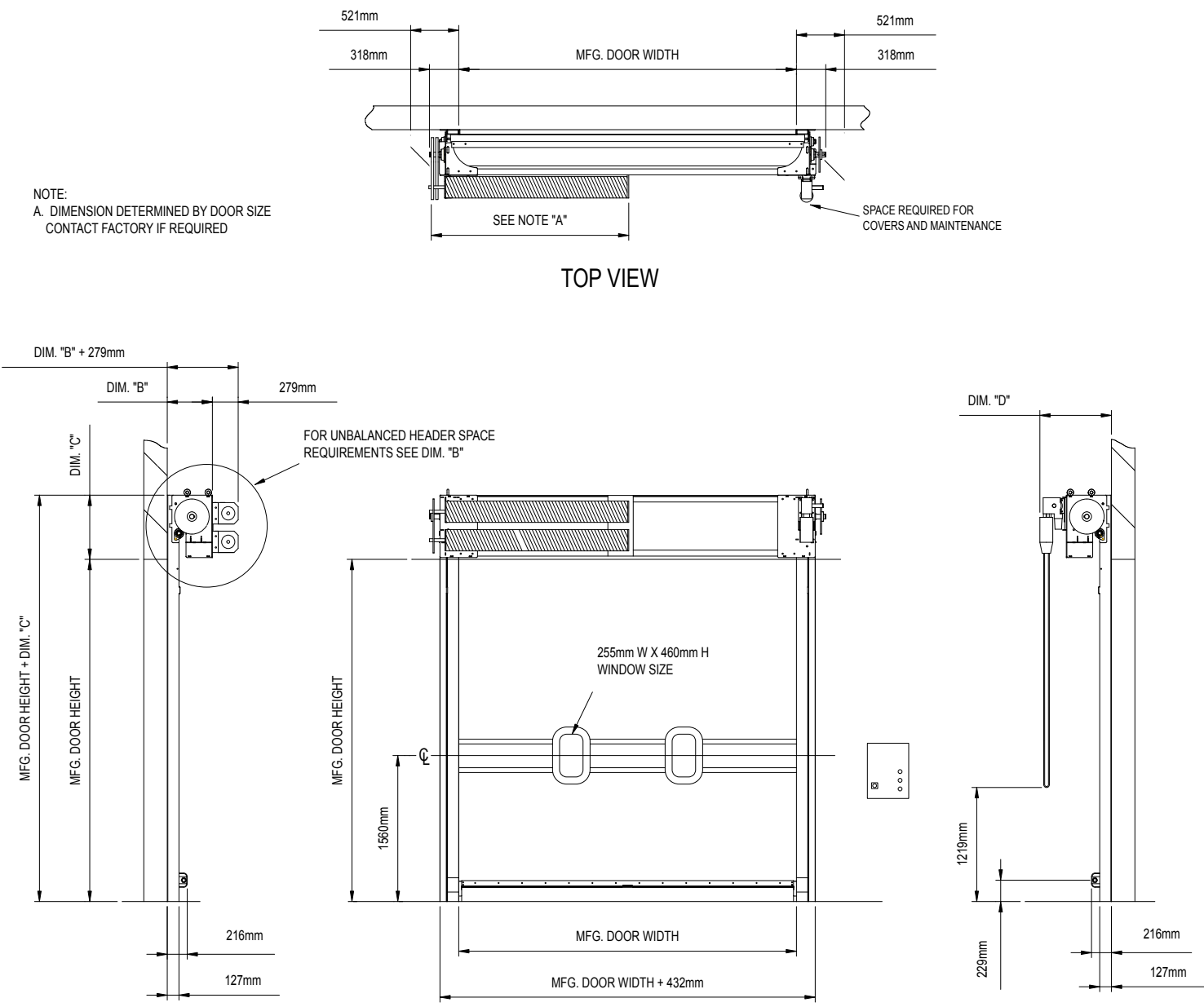
- High Cycle Drive Unit. Die cut aluminum gear box, electromagnetic spring operated break and thermally protected motor.
- Sophisticated Control Panel. ACS50, NEMA-4 and CUL listed. Standard controls are adjustable with automatic closing timer, emergency stop, two actuating push buttons and cycle counter.
 - Springless System. Direct drive unit, and the built-in catching device.
 - Counterbalanced System. Double chain with double sprocket drive system is used on doors over 5.5m x 5.5m.

SAFETY FEATURES

- The M&I Re-Coil-Away™ comes standard with an electronic reversing bottom edge and a reflective eye or through-beam photocell.

Technical Data	
Wind resistance	142 km/hr Optional wind gussets for higher windloads
Clear opening size	Width 7,315mm Height 8,230mm Larger sizes available up to 15m x 11m (please consult factory)
Opening Speed	Springless System Up to 1m/sec maximum Counterbalance System Up to 1.2m/sec maximum
Drive Unit & Control System	Input Voltage 208-240V, 440-480V, 575-600V Motor Up to 3 HP-phase, 60 Hz, 20 amps Control Panel ACS50; NEMA 4, CUL listed Limit Adjustment From drive Direct Drive Unit built-in catching device for springless system Photocell Reflective eye or through-beam
Components	Door Roll Tube 4.8mm thick steel tube complying with ASTM A513 Idler Barrel 915mm thick steel tube, supported by C1018 steel shafts Side Frame Self-supporting, heavy-duty steel painted with chemical and corrosion resistant coating Bottom Beam Steel construction with breakaway center
Door	Fabric Double-layered SBR polyester cord center with 270 k/cm² tensile strength per ASTM D412.
Counterbalance System	100K cycle torsion spring (standard)
Springless System	Direct Drive Unit
Bottom Beam	Reversing Edge Fail safe auto stop and reverse (standard)
Options	
• Windbar for operations under heavy windloads	
• Gussets for higher windloads	
• Headroom clearances of 533mm and 660mm	
• PLC control panel	
• Full roll cover	
• 200K cycle torsion spring	
• Windows	
• Stainless steel and hot dipped galvanized steel	
• Horns, lights, motion detectors and floor loops detector	

General Drawing M&I Re-Coil-Away™

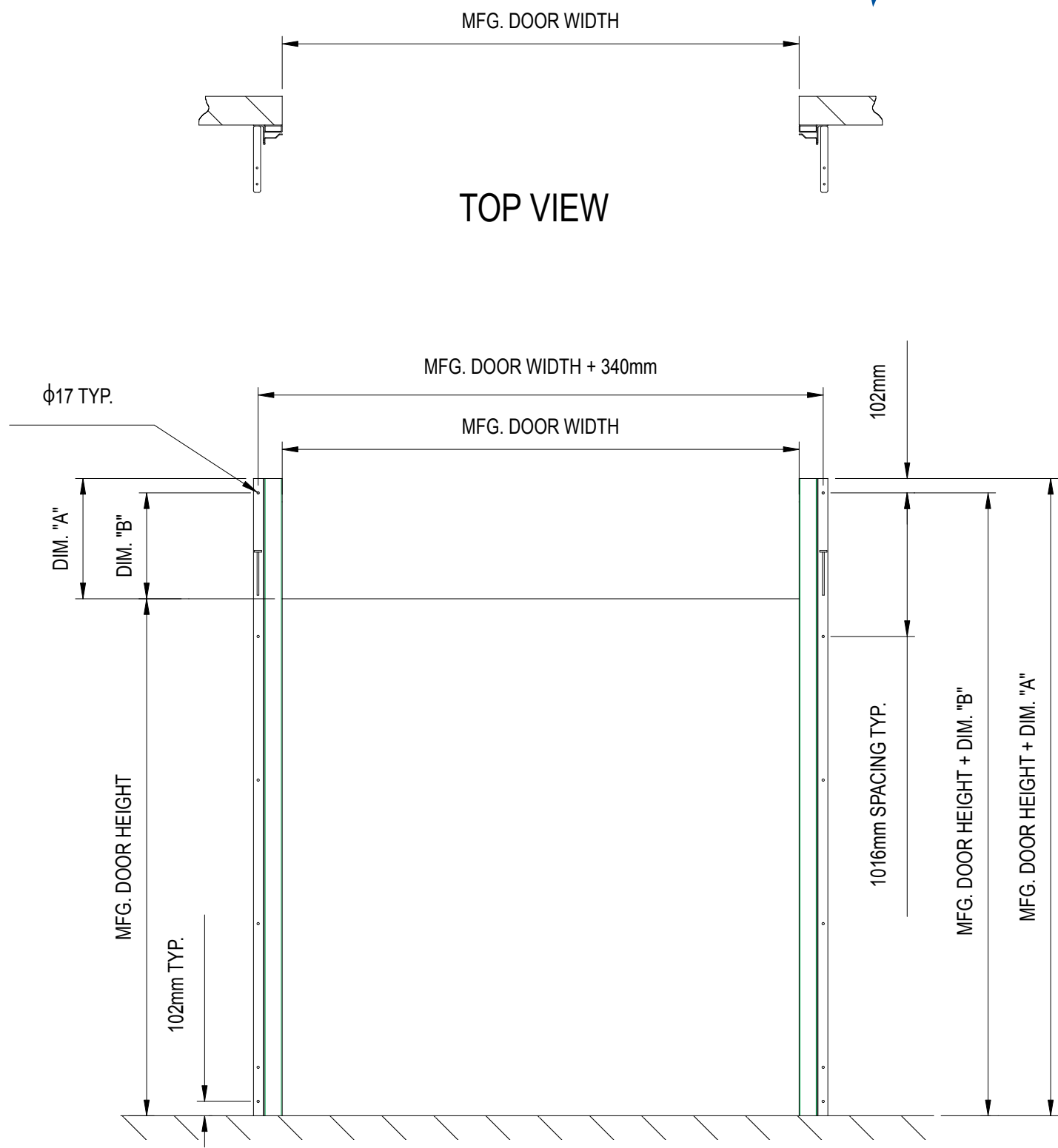


LEFT VIEW FRONT VIEW RIGHT VIEW

MFG. DOOR SIZE	DIM. "B"	DIM. "C"	DIM. "D"
≤ 3.66m W X 3.66m H	489mm	686mm	787mm
≥ 3.66m W X 3.66m H	679mm	851mm	1111mm

LARGER SIZES AVAILABLE UP TO 15M X 11M

Fixing Drawing M&I Re-Coil-Away™



FRONT VIEW

MFG. DOOR SIZE	DIM. "A"	DIM. "B"
≤ 3.66m W X 3.66m H	686mm	686mm
≥ 3.66m W X 3.66m H	851mm	851mm

LARGER SIZES AVAILABLE UP TO 15M X 11M